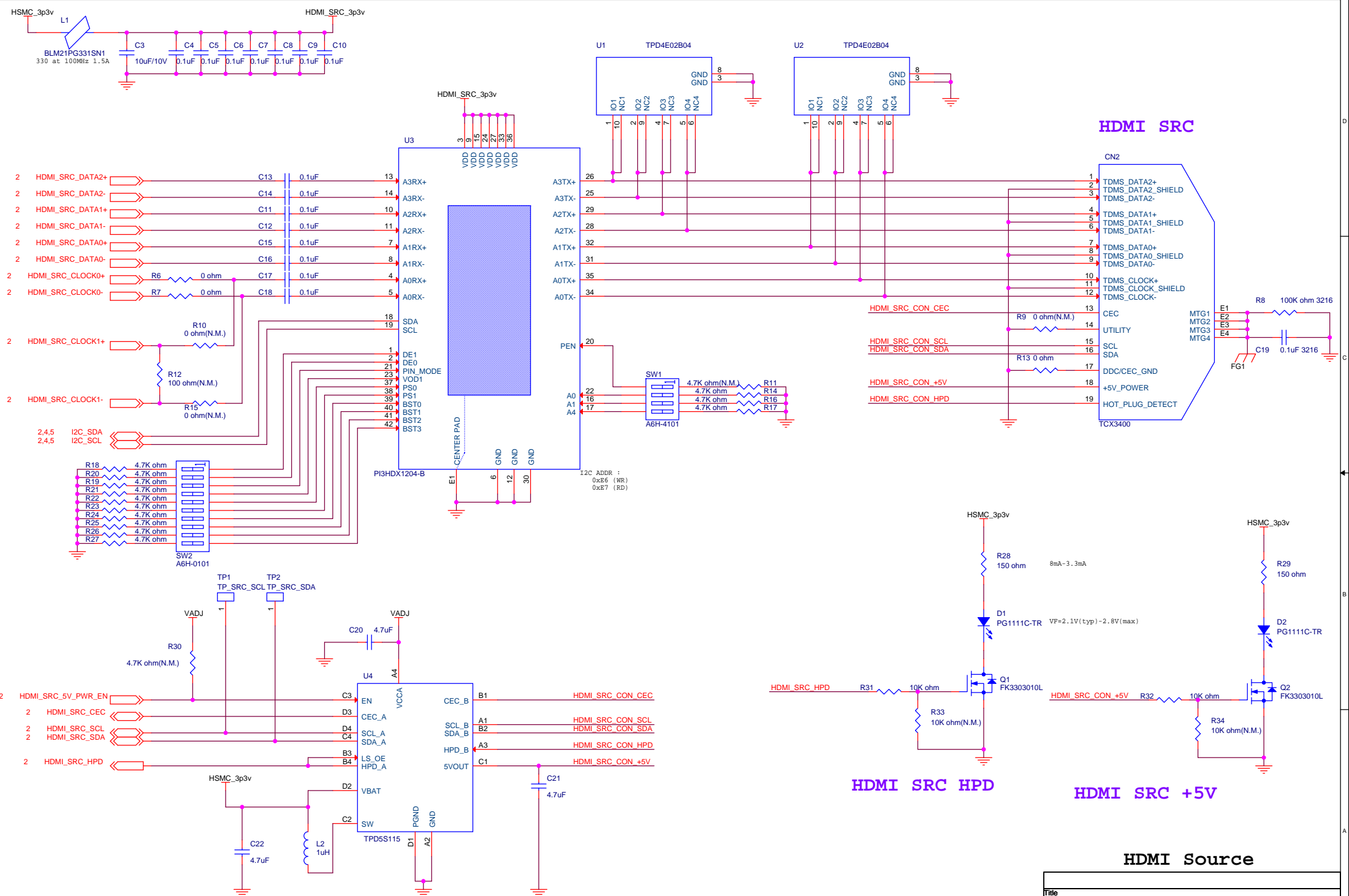


HDMI 2.0 HSMC Card

PAGE DESCRIPTION

PAGE	DESCRIPTION
01	TOP
02	HSMC
03	HDMI Source
04	HDMI Sink
05	SNK CLOCK & EEPROM
06	Power

TOP



HDMI SRC

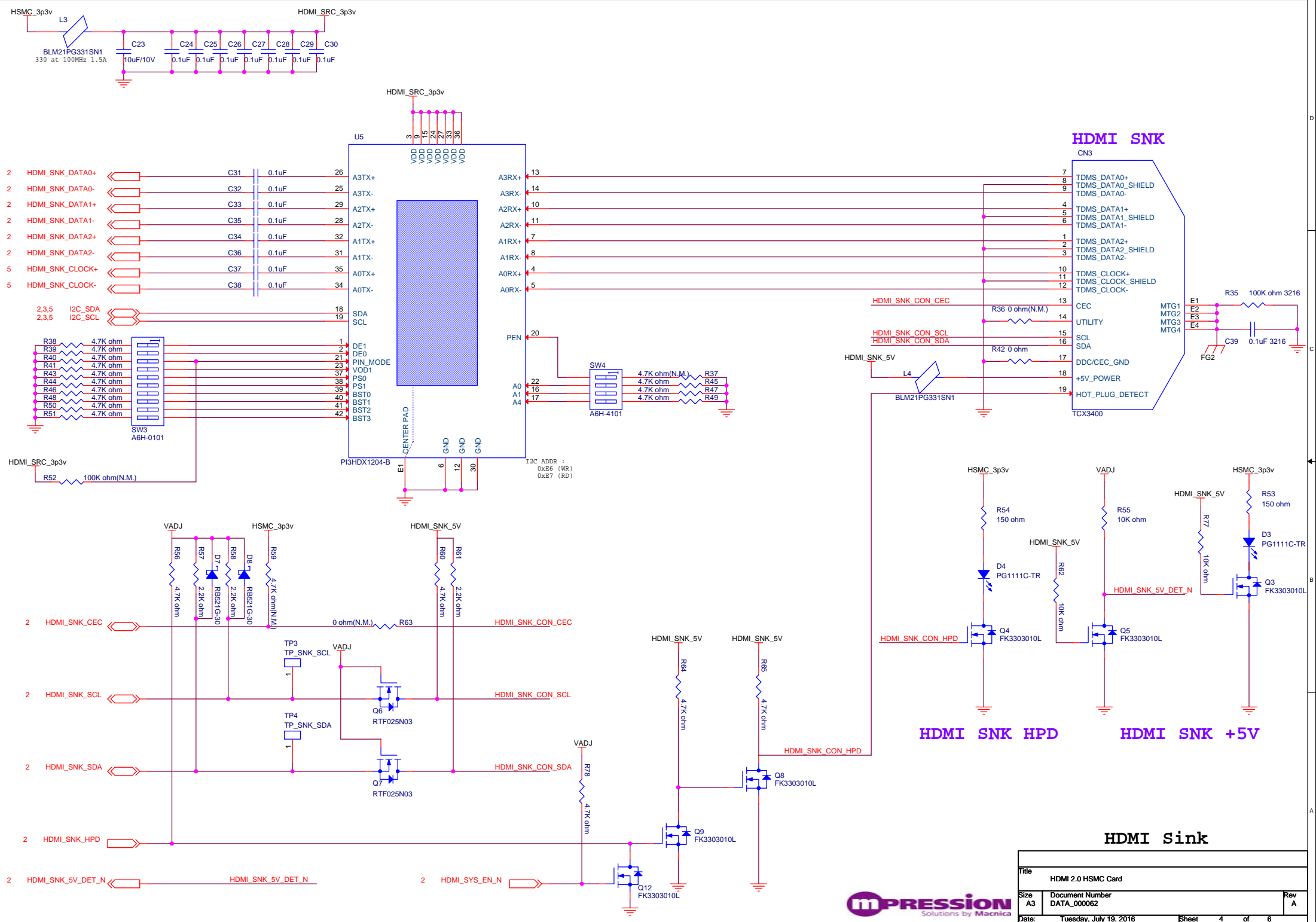
HDMI SRC HPD

HDMI SRC +5V

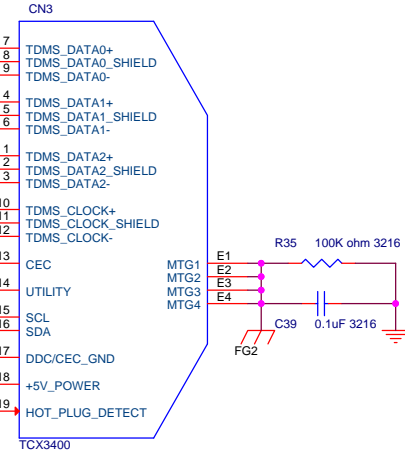
HDMI Source

Title			HDMI 2.0 HSMC Card		
Size	A3	Document Number	DATA_00062	Rev	A
Date:	Tuesday, July 19, 2016	Sheet	3	of	6





HDMI SNK



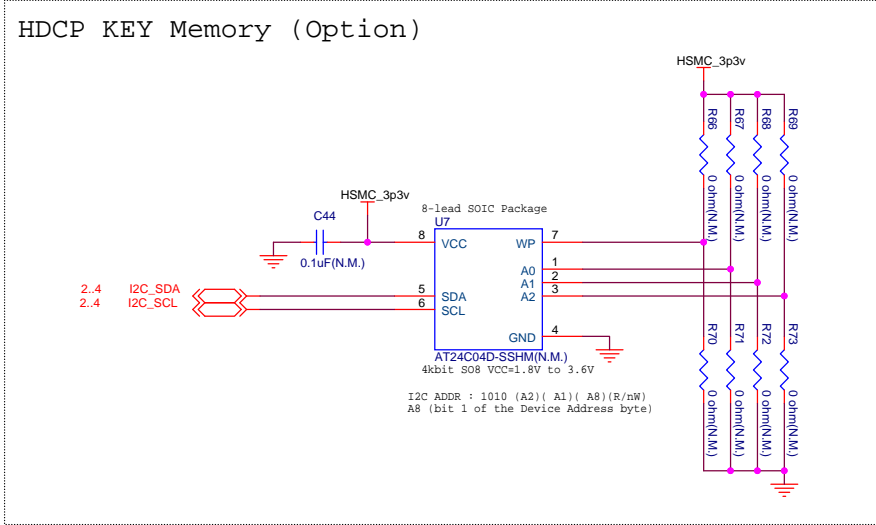
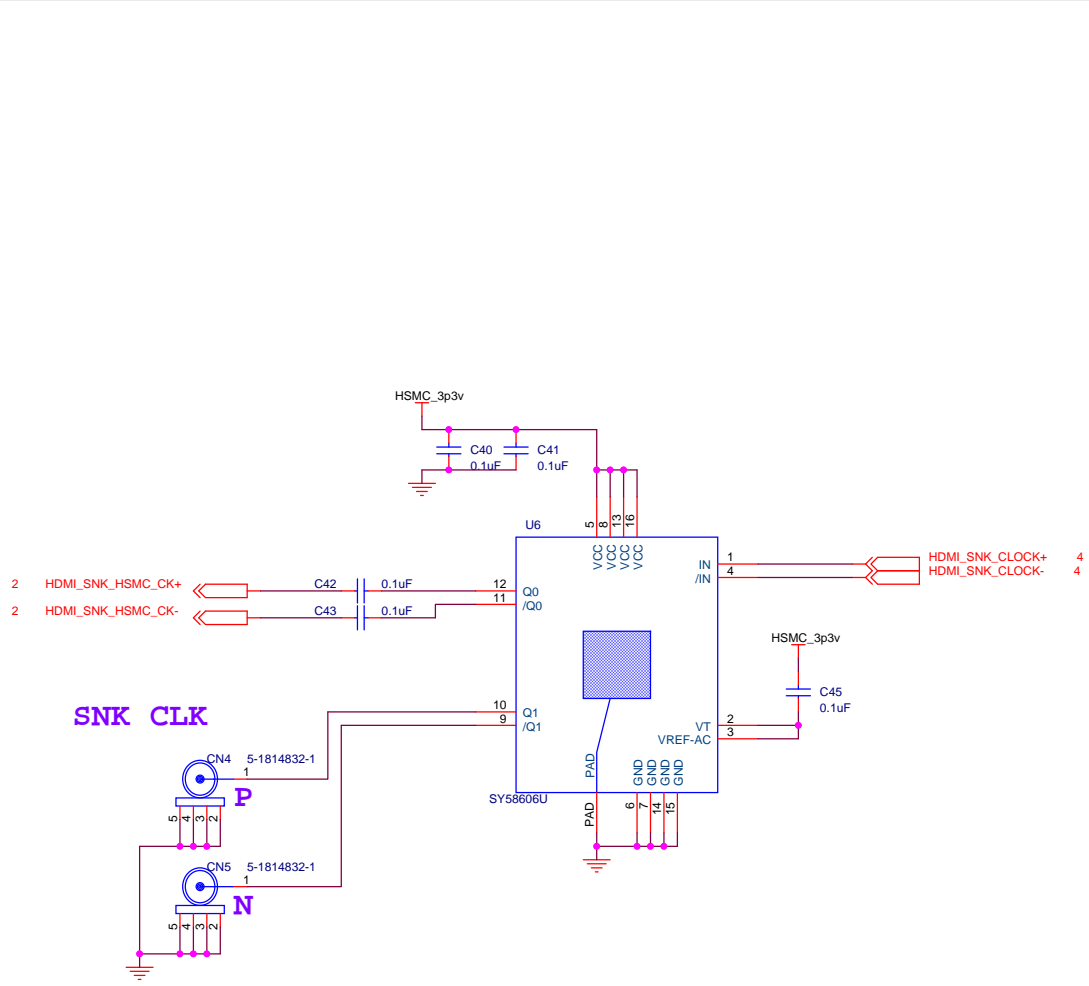
HDMI SNK HPD

HDMI SNK +5V

HDMI Sink

Title			HDMI 2.0 HSMC Card
Size	A3	Document Number	DATA_000062
Date:	Tuesday, July 19, 2016	Sheet	4 of 6
Rev	A		

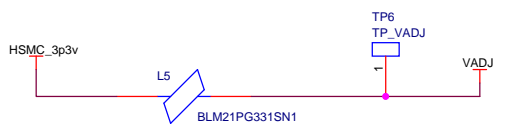
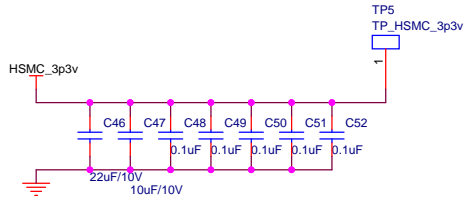




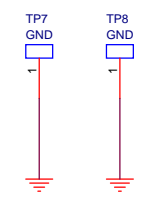
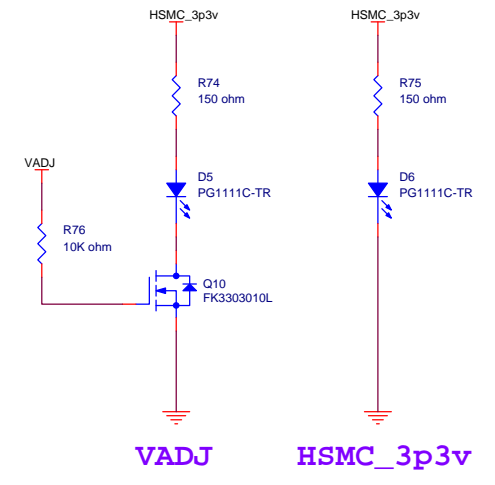
SNK CLOCK & EEPROM



Title			HDMI 2.0 HSMC Card		
Size	A3	Document Number	DATA_000062		
Date:	Tuesday, July 19, 2016	Sheet	5	of	6
		Rev	A		



Support VADJ = +3.3V



Power



Title		
HDMI 2.0 HSMC Card		
Size	Document Number	Rev
A3	DATA_000062	A
Date:	Tuesday, July 19, 2016	Sheet 6 of 6