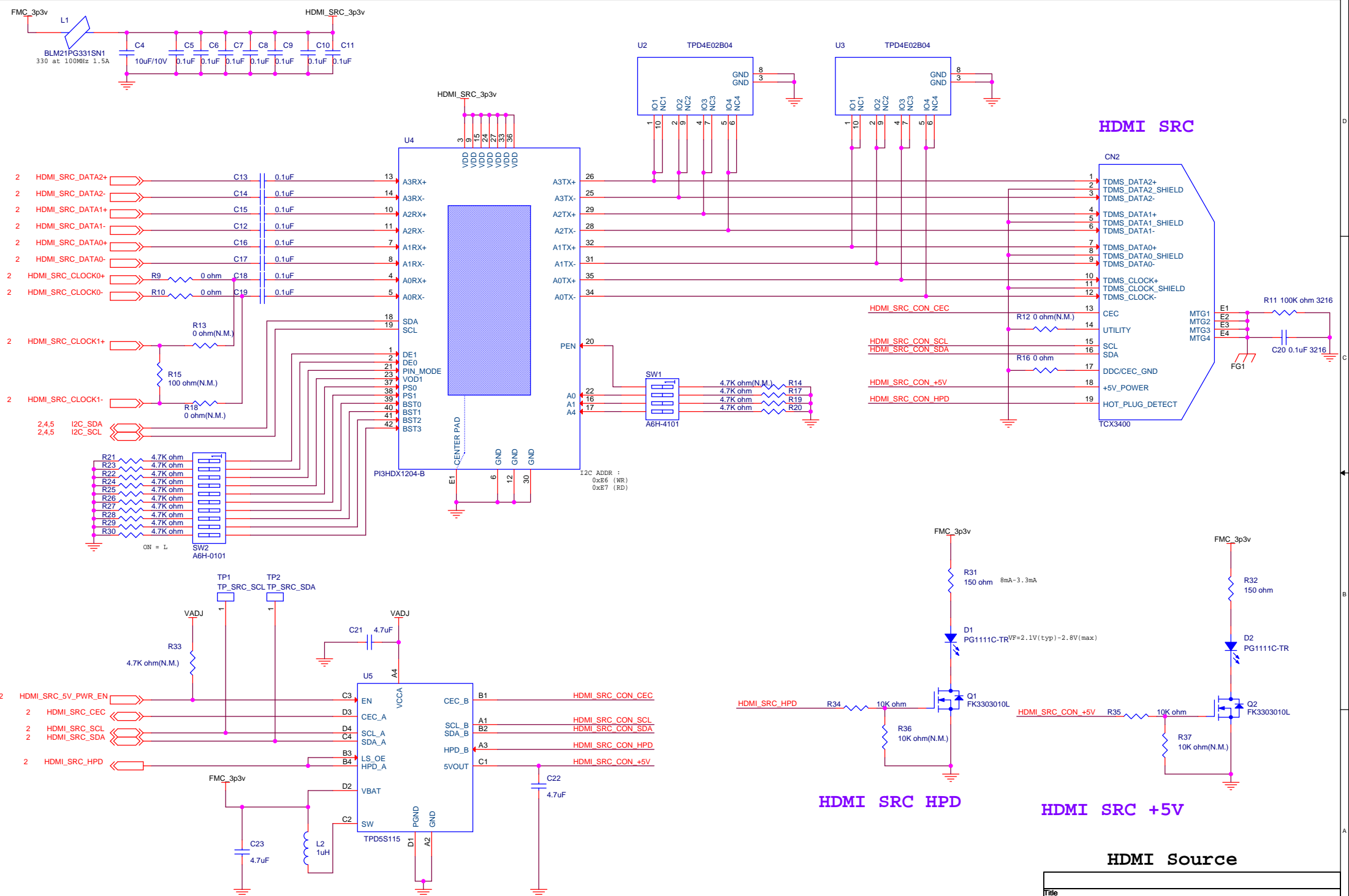


HDMI 2.0 FMC Card

PAGE	DESCRIPTION
01	TOP
02	FMC
03	HDMI Source
04	HDMI Sink
05	SNK CLOCK & EEPROM
06	Power

TOP



HDMI SRC

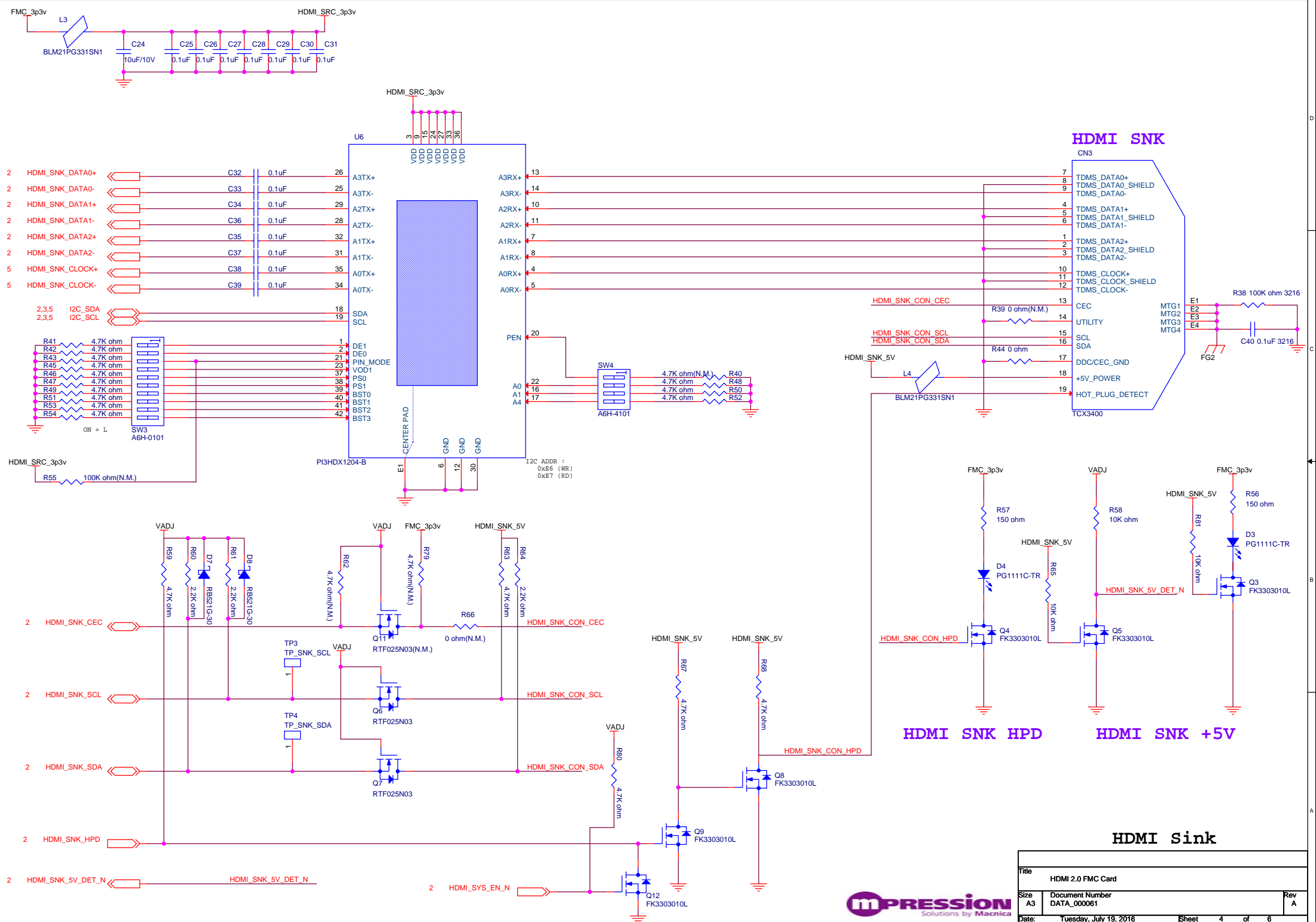
HDMI SRC HPD

HDMI SRC +5V

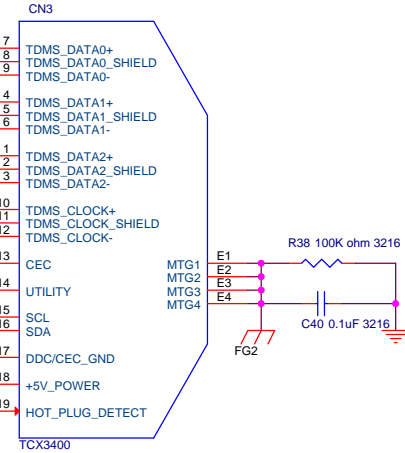
HDMI Source

Title			HDMI 2.0 FMC Card		
Size	Document Number				Rev
A3	DATA_00061				A
Date:	Tuesday, July 19, 2016	Sheet	3	of	6





HDMI SNK



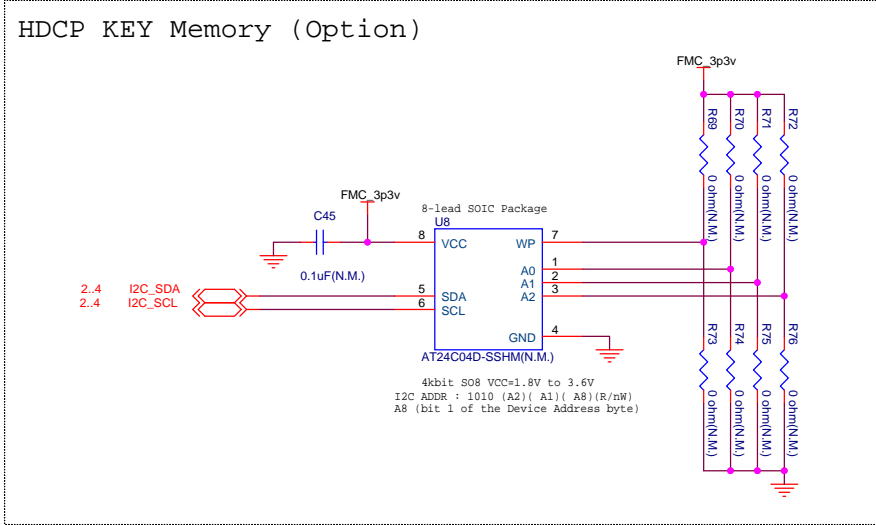
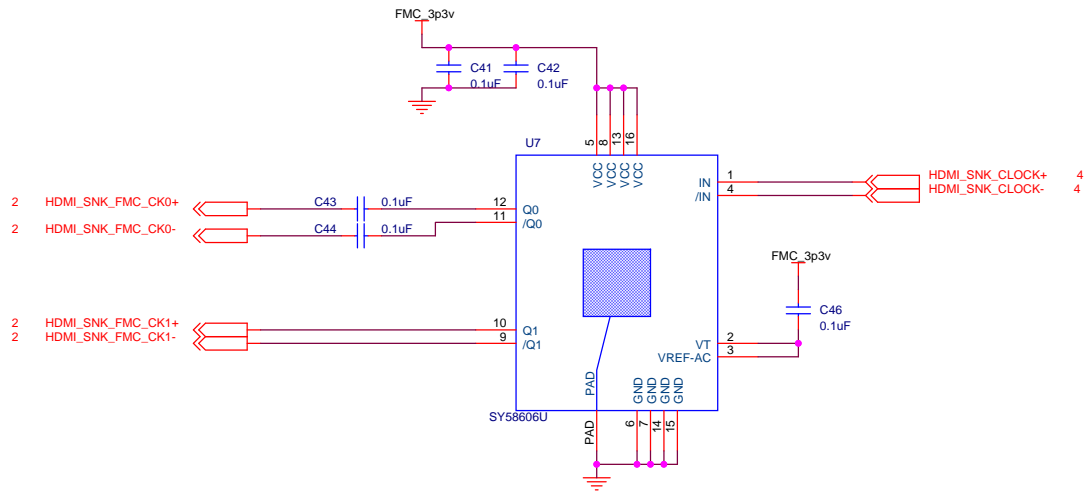
HDMI SNK HPD

HDMI SNK +5V

HDMI Sink

Title			HDMI 2.0 FMC Card		
Size	A3	Document Number	DATA_00061		Rev
Date:	Tuesday, July 19, 2016	Sheet	4	of	6

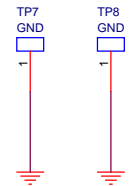
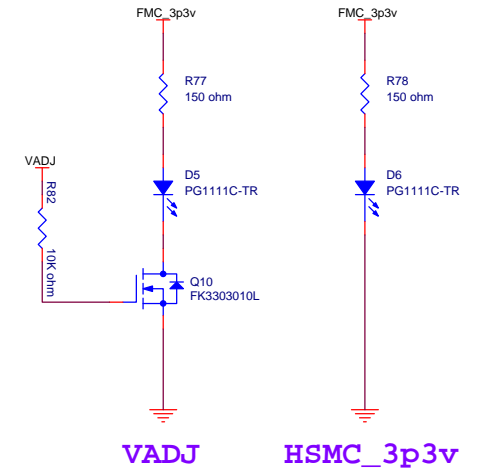
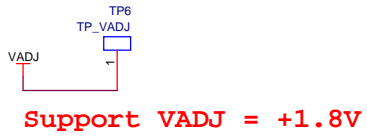
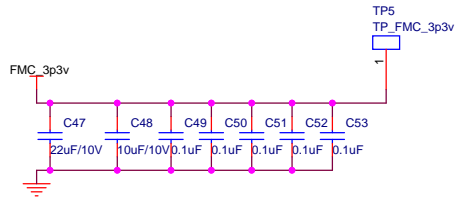




SNK CLOCK & EEPROM



Title			HDMI 2.0 FMC Card		
Size	Document Number		Rev		
A3	DATA_000061		A		
Date:	Tuesday, July 19, 2016	Sheet	5	of	6



Power

Title		
HDMI 2.0 FMC Card		
Size	Document Number	Rev
A3	DATA_000061	A
Date:	Wednesday, July 20, 2016	Sheet 6 of 6